

AQUACULTURE AND FORESHORE LICENCE APPLICATION FORM, for purposes of
FISHERIES (AMENDMENT) ACT, 1997 and FORESHORE ACT, 1933

For Office Use

Application Ref. No. TS/605.

Date of Receipt (Dept. Stamp):



NB: The accompanying Guidance Notes should be read before completing this form.

Note: Details provided in Parts 1 and 2 will be made available for public inspection. Details provided in Parts 3 and 4 and any other information supplied will not be released except as may be required by law, including the Freedom of Information Act 1997 as amended.

USE BLOCK CAPITALS IN BLACK INK PLEASE

Type of Applicant (tick one)	
Sole Trader	<input type="checkbox"/>
Partnership	<input type="checkbox"/>
Company	<input checked="" type="checkbox"/>
Co-Operative	<input type="checkbox"/>
Other	Please specify- <input type="checkbox"/>

PART 1: PRELIMINARY DETAILS

Applicant's Name(s)	
1.	AG Oysters Limited
Address:	FIRST FLOOR, 10/11 EXCHANGE PLACE, INTERNATIONAL FINANCIAL SERVICES CENTER, DUBLIN 1

Contact in case of enquiries (if different from above)	
Contact Name	
Organisation Name (if applicable)	
Address	

PART 1: PRELIMINARY DETAILS

TYPE OF APPLICATION – please indicate relevant type of application	
This Application Form is valid for each type of application - <i>See Guidance Note 3.1</i>	
(i) Aquaculture Licence	<input checked="" type="checkbox"/>
(ii) Trial Licence	<input type="checkbox"/>
(iii) Foreshore Licence, if Marine Based	<input type="checkbox"/>
(iv) Review of Aquaculture Licence	<input type="checkbox"/>
(v) Renewal of Aquaculture Licence	<input type="checkbox"/>

TYPE OF AQUACULTURE

See Guidance Note 3.2

Indicate the relevant type of application with a tick.

(i) MARINE-BASED

- | | | |
|---|-------------------------------------|--------------------------|
| Finfish | <input type="checkbox"/> | Go to Parts 2.1 and 2.1A |
| Shellfish <i>Subtidal</i> | <input type="checkbox"/> | Go to Parts 2.2 and 2.2A |
| <i>Intertidal</i> | <input checked="" type="checkbox"/> | Go to Parts 2.2 and 2.2A |
| Seaweed/Aquatic Plants/Aquatic Fish Food | <input type="checkbox"/> | Go to Parts 2.3 and 2.3A |

**PART 2: DETAILS RELATING TO THE PROPOSED AQUACULTURE
PROJECT**

2.2 MARINE-BASED SHELLFISH AQUACULTURE

When filling out this section refer also to 2.2A and Guidance Note 3.3 for information on
Conditions and Documents required with this application type

Proposed Site Location

- (i) Bay: CASTLE HAVEN.
- (ii) County: WEST CORK
- (iii) OS Map No: OS1002_D
(SEE ANNEX 3)
- (iv) Co-ordinates of Site: (please specify coordinate reference system used e.g. Irish Grid (IG) or Irish Transverse Mercator (ITM) or Latitude/Longitude [in which case specify whether ETRS89 or WG84 etc.]

IRISH NATIONAL GRIDS

A (X: 118986,327 Y: 31712,016)
B (X: 119181,517 Y: 31593,953)
C (X: 119184,103 Y: 31367,423)
D (X: 119107,357 Y: 31367,913)
E (X: 119094,898 Y: 31564,289)
F (X: 118974,461 Y: 31643,789)

- (v) Size of Site (hectares):
3 HA.

(vi) Species (common and scientific name) and whether native or non-native species: (see Guidance Notes 3.3.1)

CRASSOSTREA GIGAS (PACIFIC OYSTER)

(vii) Whether production will be sub-tidal or inter-tidal?

INTER-TIDAL

(viii) Please supply details of (a) source of seed e.g. wild hatchery and location and (b) means of collection and introduction to culture.

Seed will be delivered by lorry.

Origins:

- HATCHERY SEED (FRANCE/ UK / IRELAND).
- GRADE 6 - 10 MM AND HALF GROWN (15-25 GRAMS).

(ix) Method of culture (rope, trestles – intensive; bottom – extensive; other)

CULTURE IN BAG ON TRESTLE.

(x) Proposed number of lines/ropes/trestles as per site layout drawing

OYSTERS WILL BE FARMED IN BAG ON TRESTLE. TRESTLES WILL BE ARRANGED IN 73 ROWS OF 50 TRESTLES 50 METER LENGTH EACH. A TOTAL OF 1,168 TRESTLES WILL BE CAPABLE TO HOLD 7,008 BAGS IN TOTAL.

THERE ARE 4.5 METERS ALLEYS BETWEEN EACH DOUBLE ROWS OF TRESTLES SO THAT THE SITE CAN BE EASILY ACCESSED WITH A SMALL TRACTOR AND TRAILER.

(xi) Proposed Production Tonnage:

Year 1	9,9	Year 2	50.2	Year 3	50.2	Year 4	50.2	Year 5	50.2
--------	-----	--------	------	--------	------	--------	------	--------	------

(TONNAGE FOR ALL SIZE OYSTER, SEE ANNEX 2 FOR MORE DETAILS)

(xii) (a) Please outline the reasons for site selection:

- EASILY MANAGEABLE SITE WITH PUBLIC ROAD ACCESS AND PARKING SPACE.
- SMALL MAGNITUDE OF THE ENVIRONMENTAL IMPACT AS THE SHORE IS NOT VISITED BY BIRDS.
- LOW POPULATION DENSITY IN THE AREA AND TOURISM CONCENTRATED ON CASTELTOWNSHEND VILLAGE.
- SHELTERED FROM WEST AND EAST WINDS.

(b) If using trestles please outline the physical characteristics of the site which make it suitable for using trestles

THE SITE IS LOCATED IN THE MIDDLE SOUTH EAST SECTION OF THE ESTUARY, IN A NARROW PASSAGE WITH STRONG FLOW.

THE SITE HAS STEEP SLOPE SO BAGS WILL BE KEPT DEEP. THE SUBSTRATUM IS MADE OF HARD GROUND/ PEBBLES INDICATING STRONG CURRENTS AND VERY GOOD WATER EXCHANGE ON THIS SIDE OF THE SHORE.

THAT SHOULD CARRY ALL THE NECESSARY FOOD AND OXYGEN TO THE OYSTERS.

TRESTLES WON'T SINK INTO THE SUBSTRATUM.

THE SITE IS EASILY ACCESSIBLE ACCESS FROM THE SHORE BY TRACTOR.

(xiii) Is it intended that the product is for direct human consumption or half grown? Please specify

THE PRODUCT WILL BE INTENDED FOR DIRECT HUMAN CONSUMPTION AFTER DEPURATION IN FRANCE.

HALF GROWN OYSTERS MAY ALSO BE PRODUCED ON THIS SITE.

(xiv) How will the visual impact issues of the flotation devices for the proposed application be addressed?

(xv) Is the site located in Designated Shellfish Waters Area? (Refer to Guidance Note 3.3.2)

Yes No

If yes give details.

If no outline the reasons why you believe the site suitable for the proposed aquaculture, notwithstanding its location outside Designated Shellfish Waters Area?

THE SITE IS PERFECTLY SUITABLE FOR OYSTER FARMING BECAUSE IT IS EASILY ACCESSIBLE, THERE IS ALSO VERY GOOD WATER FLOW. THE SITE HAS A SMALL SURFACE AREA AND WILL HAVE A VERY LOW ENVIRONMENTAL IMPACT.

(xvi) Has the area been classified under Food Safety Legislation? (For Bivalve Molluscs) What is the current classification of the area for the proposed species applied for?

NO.

(xvii) Is the site located in/adjacent to a sensitive area e.g. SPA (Special Protection Area) or SAC (Special Area of Conservation) i.e. a Natura 2000 site? (Refer to Guidance Note 3.3.1- Natura 2000 sites)

THE SITE IS LOCATED IN CASTELTOWNSHEND SAC SITE CODE 001547.

THE SITE HAS BEEN SELECTED FOR A SAC FOR TO PROTECT [1421] KILLARNEY FERN. THE SITE IS MARINE BASED THEREFORE THERE IS NO IMPACT ON THE PROTECTED SPECIES.

THE SUBSTRATUM IS MADE OF PEBBLES, HARD GROUND THEREFORE NOT SUITABLE FOR FORAGING SEASHORE BIRDS.

(xviii) Are there known sources of pollution in the vicinity e.g. sewage outfall? YES
If yes please give full details.

THERE IS A LOW POPULATION IN THE AREA. CASTELTOWNSHEND IS A SMALL VILLAGE LOCATED 2 KM FROM THE RELATIVELY NARROW SEA INLET CASTLE HAVEN BAY. A CULVERT DISCHARGE DIRECTLY INTO THE HARBOUR THROUGH AN OUTFALL ADJACENT TO THE BOAT SLIP. THE TOTAL PROPERTIES CONNECTING TO THIS OUTFALL IS ESTIMATED TO 80 UNITS. OTHER HOUSES HAVE THEIR OWN SEPTIC TANKS. A NEW DEVELOPMENT AS A DEDICATED TREATMENT PLANT LOCATED 150 METERS FROM THE NORTHEAST.

HOWEVER IT IS PROPOSED TO CONSTRUCT A DBO (CAPACITY 1,000 PE) NORTH OF CASTELTOWNSHEND, DISCHARGING THROUGH A MARINE OUTFALL TO THE INNER NEARBY HARBOUR. IT IS PROPOSED TO SEPARATE FOUL AND STORM WATER. (APPLICANT CORK COUNTY COUNCIL, 26-07-2013).

(xix) Methods used to harvest the shellfish and details of any subsequent processing of shellfish

THE OYSTER BAGS WILL BE HARVESTED USING A TRACTOR AND TRAILER.

(xx) Describe any proposed purification facilities to be used:

HUITRES GEAY EARL.
BP 74 RUE DES BRUNETTES
LA TREMBLADE 17390 - FRANCE

(xxi) What are the main predators of the species to be cultivated?

SEED/ HALF GROWN OYSTER: GREEN CRABS, BROWN CRAB.

LARGE OYSTERS: OYSTER CATCHER (FOR BAGS MESH SIZE SUPERIOR TO 8 — 10 MM)

(xxii) Describe the method(s) which will be used to control them

REMOVE THE CRABS FROM THE BAGS OF SEED AND USE 10-12 MM BAGS IF THERE IS PREDATION FROM OYSTER CATCHER.

See Part 2.2A for details of documentation to be included with this application type

2.2A DOCUMENTATION REQUIRED FOR MARINE-BASED SHELLFISH AQUACULTURE

(to be included separately with a Licence Application for a new site or for a renewal or review of an existing Licence)

1. **An appropriate Ordnance Survey Map (recommendation is a map to the Scale of 1:10,000/1:10,560, i.e. equivalent to a six inch map). Note: The proposed access route to the site from the public road across tidal foreshore must also be shown on the map.**
2. **Scale drawing of the structures to be used and the layout of the farm.**
The proposed site drawings must illustrate all site structures above and below the water including mooring blocks. (recommended scales normally 1:100 for structures and 1:200 for layout) (See Guidance Note 3.3.2)
3. **The prescribed application fee (See Guidance Note Section 4)**
4. **If the applicant is a limited Company within the meaning of the Companies Act 1963, as amended, the Certificate of Incorporation and Memorandum and Articles of Association**
5. **If the applicant is a Co-operative, the Certificate of Incorporation and Rules of the Co-operative Society**
6. **Environmental Impact Statement (if required) in certain cases- See Guidance Notes Section 3.3.1**
7. **Alien Species dossier (where required) – See Guidance Notes Section 3.3.1**

NOW COMPLETE PARTS 2.6, 3, 4 AND 5 PLEASE

**2.6 Employment, Qualifications, Experience, etc
TO BE FILLED IN BY ALL AQUACULTURE APPLICANTS**

(i) Please provide details of experience/qualifications of the applicant and any key personnel which are relevant to the aquaculture now proposed:

MR ADRIEN IS THE FIFTH GENERATION OF OYSTER FARMING IN FRANCE (SINCE 1874). HUITRES GEAY SARL WAS CREATED IN 2011 AND IT IS A RENOWN OYSTER BUSINESS AT LA TREMBLADE, MARENNES, FRANCE.

Qualification

HIGHER DIPLOMA IN AQUACULTURE IN FRANCE (TECHNICIAN SUPERIOR DIPLOMA),

- (ii) If a new application please provide details of projected employment creation during first four years of the proposed aquaculture project:
- (iii) In the case of a renewal please provide current and future details:

FULL TIME JOBS

Year 1: 1 Year 2: 1 Year 3: 2 Year 4: 2

PART TIME JOBS (seasonal)

Year 1: 0 Year 2: 1 Year 3: 1 Year 4: 1

PART 4 B. MARKETING

1. Have possible market or has market advice for products been sought? NO
AG OYSTERS HAVE ALREADY A BUSINESS FOR PACKNG OYSTERS AND EXPORT
THEIR OYSTERS ALL OVER THE WORLD:

HUITRES GEAY EARL
BP 74 RUE DES BRUNETTES
LA TREMBLADE 17390, FRANCE

WEBSITE: <http://www.speciales-geay.fr>

3. Will the product be processed or packaged? NO

4. If yes, give details: SAME AS ABOVE

PART 5: DECLARATION AND SIGNING

NB: Refer to Guidance Note Section 3.5 and Section 4 - Guidance on Declaration and Signing and Annual Aquaculture and Foreshore Licence Fees

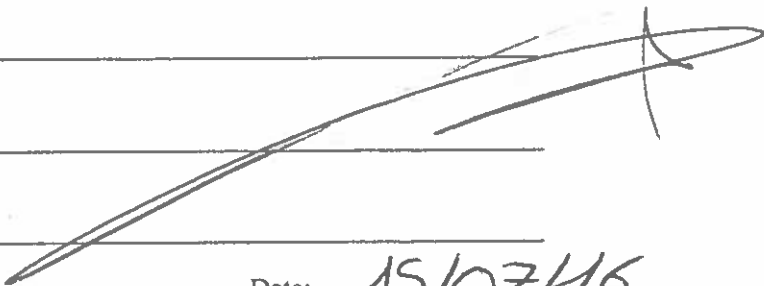
If this is a renewal/review have you met all licence conditions of the existing aquaculture licence?
If applicable, explain why you have not complied with all conditions:

I/We hereby declare the information provided in Parts 1, 2, 3 and 4 above to be true to the best of my/our knowledge. I/We enclose an application fee* of €95.23 with this application.

Signature(s) of Applicant(s):

Adrien GEAY

(Please state capacity of persons signing on behalf of a Company/Co-op)



Date: 15/07/16

NB All persons named on this licence application must sign and date this application form. Only the existing licence holder(s) can apply for the renewal/review of an Aquaculture Licence.

*Preferred method of payment is by cheque or bank draft. The fee should be made payable to the Department of Agriculture, Food and the Marine.

Refer to Guidance Note Section 4 - Guidance on Aquaculture and Foreshore Licence Fees

1 NO. SITE AT CASTLEHAVEN BAY CO.CORK

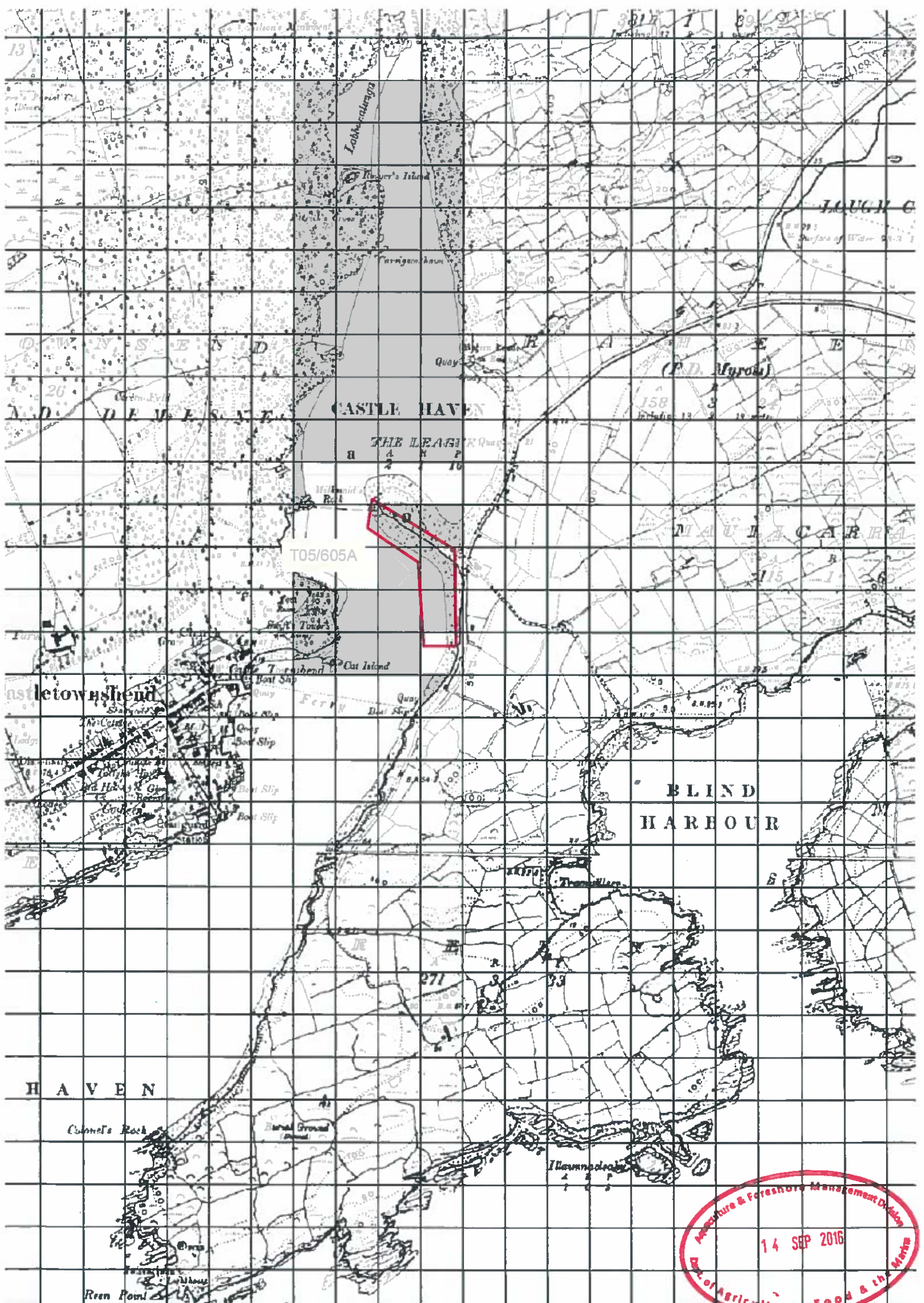
Co-ordinates & Area

Site T05/605A (2.997 Ha)

The area seaward of the high water mark and enclosed by a line drawn from Irish National Grid Reference point

118986, 031712 to Irish National Grid Reference point
119182, 031594 to Irish National Grid Reference point
119184, 031367 to Irish National Grid Reference point
119107, 031367 to Irish National Grid Reference point
119095, 031564 to Irish National Grid Reference point
118974, 031644 to the first mentioned point.





T05/605A





REPUBLIC OF IRELAND — SOUTH COAST
**LONG ISLAND BAY
 TO
 CASTLEHAVEN**

DEPTHS IN METRES
 SCALE 1:30 000

Depths are in metres and are reduced to Chart Datum, which is approximately the level of Lowest Astronomical Tide. Heights are in metres. Underlined figures are drying heights above Chart Datum; all other heights are above Mean High Water Springs.
 Positions are referred to Ordnance Survey of Ireland Datum (see SATELLITE-DERIVED POSITIONS note).
 Navigational marks: IALA Maritime Buoyage System - Region A (Red to port).
 Projection: Transverse Mercator.
 Sources: The origin, scale, date and limits of the hydrographic information used to compile the chart are shown in the Source Diagram. Soundings in upright figures are from old smaller scale surveys. The topography is derived chiefly from Ordnance Survey of Ireland Maps.

TRAFFIC SEPARATION SCHEMES

All charted Traffic Separation Schemes are IMO-adopted. For further details, see Annual Notice to Mariners No 17.

SUBMARINE CABLES

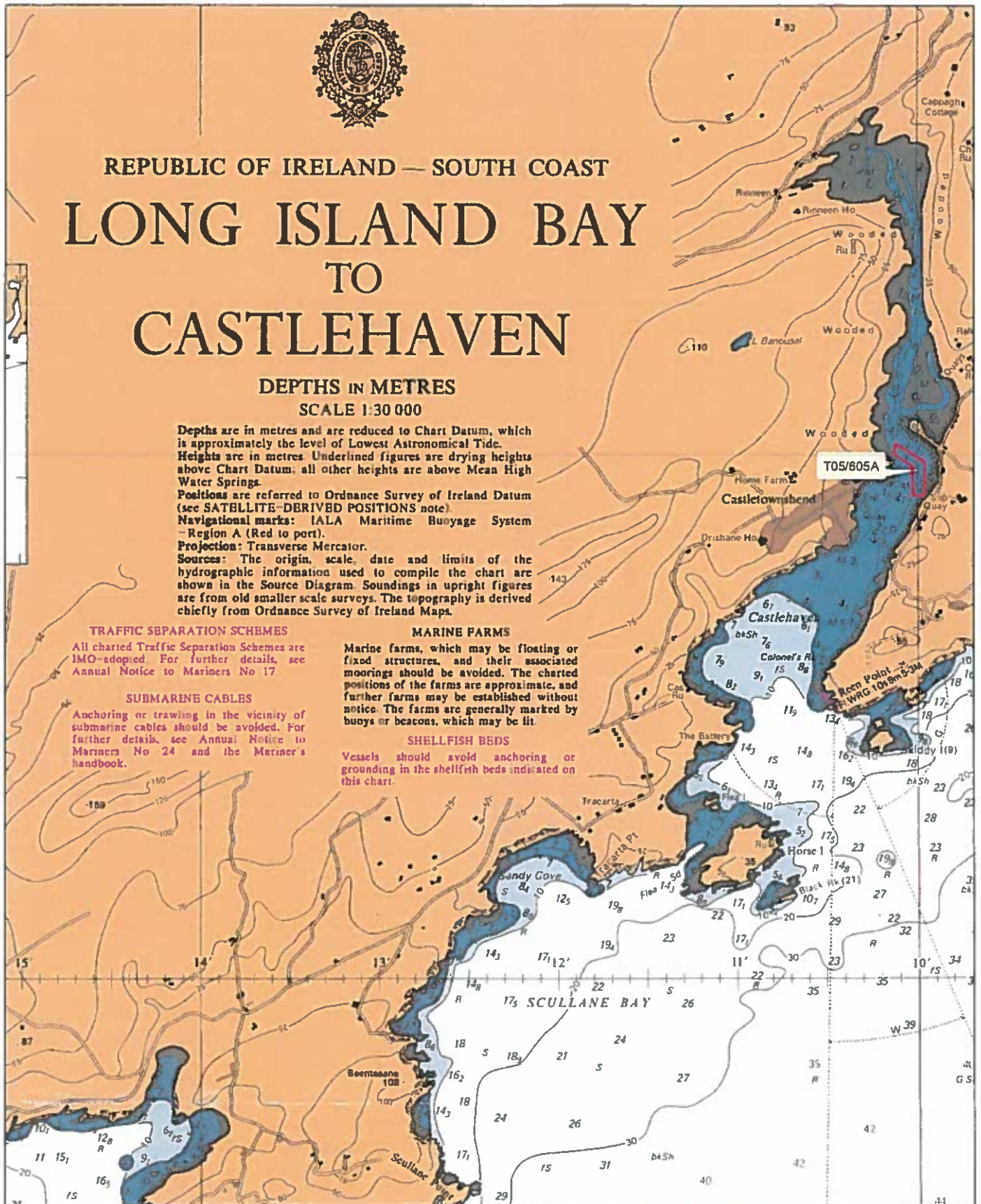
Anchoring or trawling in the vicinity of submarine cables should be avoided. For further details, see Annual Notice to Mariners No 24 and the Mariner's handbook.

MARINE FARMS

Marine farms, which may be floating or fixed structures, and their associated moorings should be avoided. The charted positions of the farms are approximate, and further farms may be established without notice. The farms are generally marked by buoys or beacons, which may be lit.

SHELLFISH BEDS

Vessels should avoid anchoring or grounding in the shellfish beds indicated on this chart.



Aqua Culture Sites
 <all other values>

Site_Status	Application
	Lapsed
	Licensed
	Refused
	Renewal
	Revoked
	Surrendered
	Withdrawn

1:24,000

Sites highlighted in red denotes Application

Part of Admiralty Chart No =2129-0
 Not to be used for Navigation

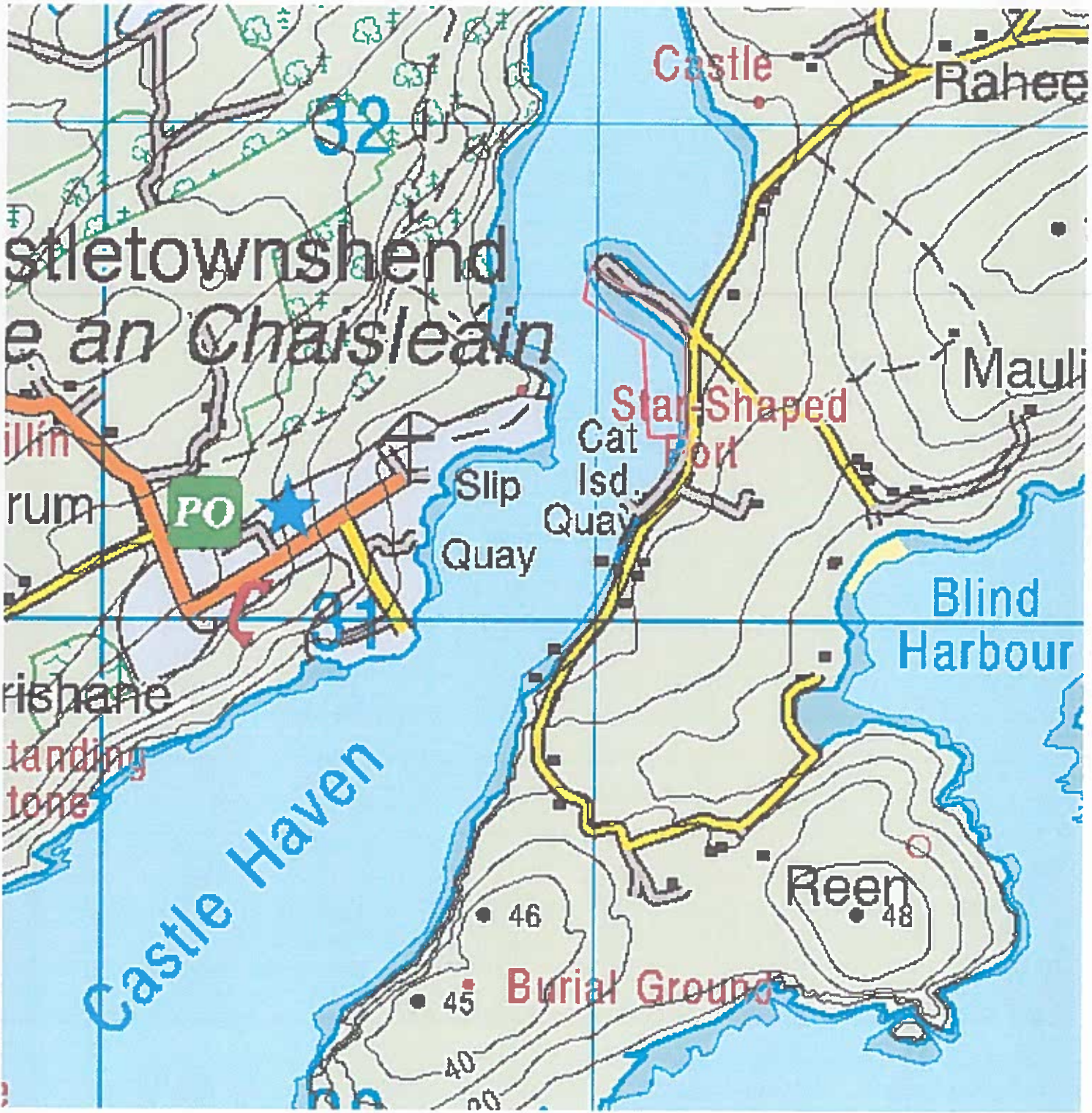


Department of
**Agriculture,
 Food and the Marine**
 An tAon
**Talmhaíochta,
 Bia agus Mara**



Annex 3

**New application licence
AG Oysters, Bannow Bay, July 2016.**



1:10,560



Legend
[Red outline box] Site 3 Ha.

ANNEX 5



Schematic representation of the site with plans of structures

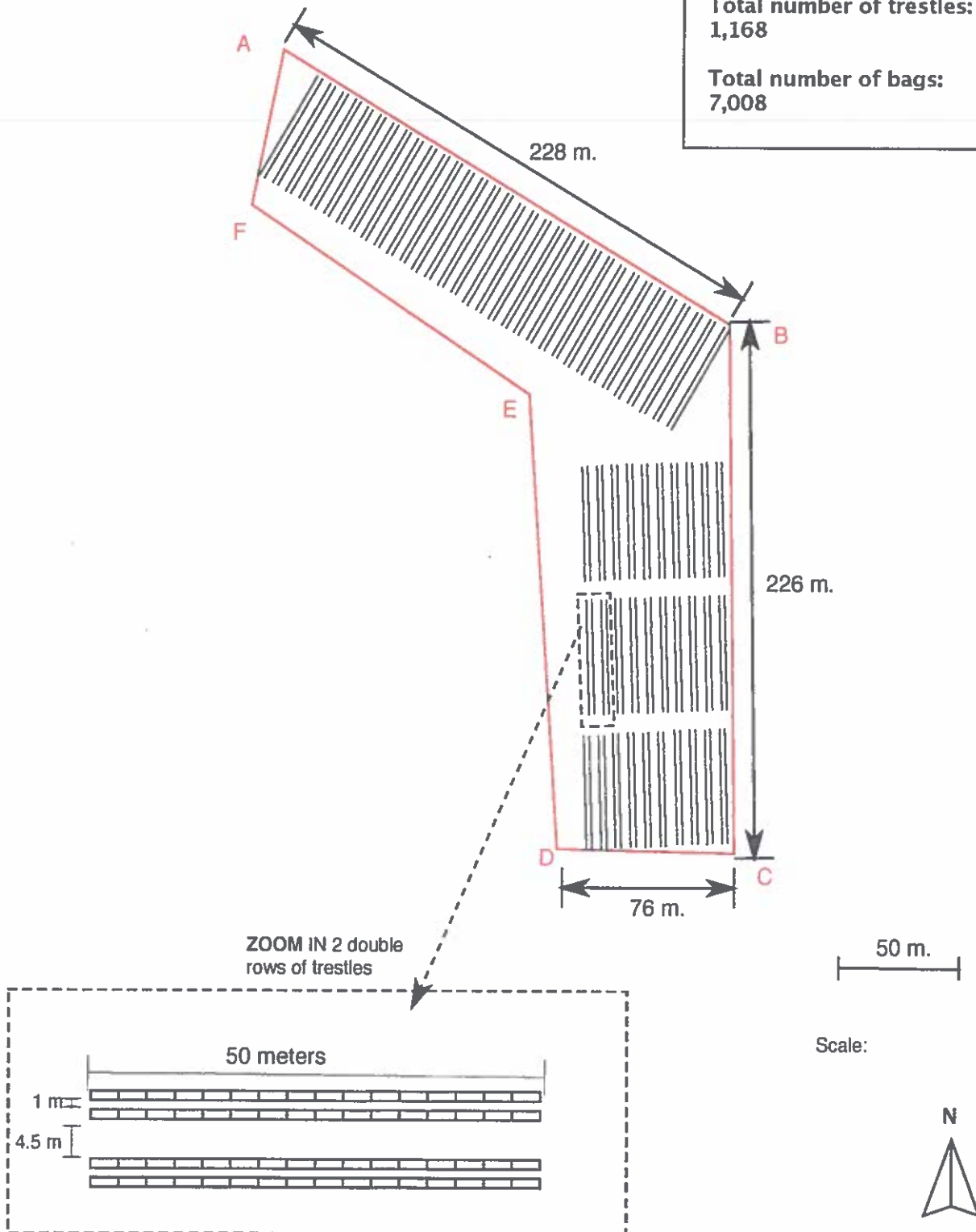
New site of 3 Ha at Clastle Haven, West Cork.

AG Oysters Ltd, 2016

Total number of rows:
73 rows of trestles 50 meters length each.
1 row = 16 trestles

Total number of trestles:
1,168

Total number of bags:
7,008

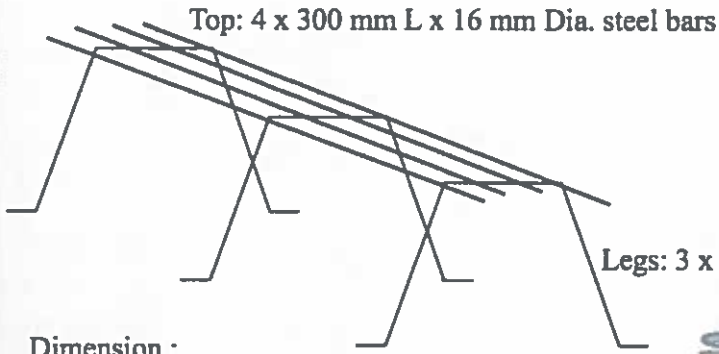


ANNEX 7

PLAN OF STRUCTURE

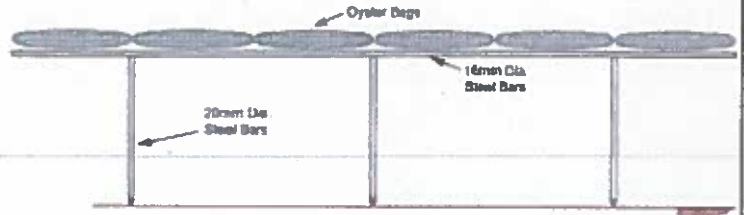
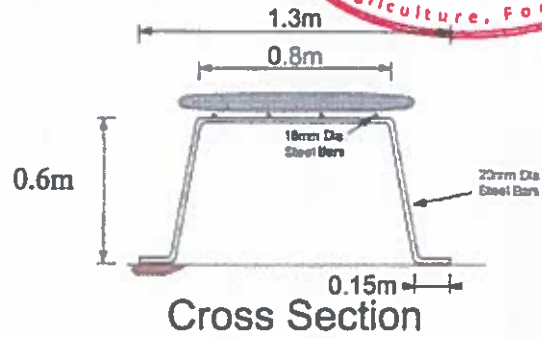


Schematic representation of trestle



Dimension :
 H: 0.5 m.
 L: 3 m.
 W (top): 0.8 m.

View 3D



Longitudinal Section

Navigation poles



Navigation yellow
Cross marker to
place on top of pole

Double row of trestles



Date: April 2016

Applicant name:
AG Oysters LTD

Title:
Proposed aquaculture sites at
Bannow Bay, Co wexford, Ireland

Address:
First Floor,
10/11 Exchange Place,
International Financial Services Center,
Dublin 1

Pictures & diagrams:

