

AQUACULTURE - LICENSING UNDER
FISHERIES (AMENDMENT) ACT 1997 as amended
and
FORESHORE ACT 1933 as amended

*Application Form for an Aquaculture and Foreshore Licence for
a single specific site.*

*If a Licence is required for more than one site a separate
application form must be completed for each site.*

Important Note

Section 4 of the Fisheries and Foreshore (Amendment) Act, 1998 (No. 54 of 1998) prohibits any person making an application for an Aquaculture Licence from commencing aquaculture operations until duly licensed under the Fisheries (Amendment) Act, 1997 (No. 23 of 1997), and provides that a breach of that prohibition will cause the application to fail.

A copy of an Environmental Impact Statement and Natura Impact Statement should be enclosed, if required, with all new, review and renewal applications. See Guidance Notes Section 3.

**Aquaculture & Foreshore Management Division,
Department of Agriculture, Food and the Marine,
National Seafood Centre,
Clonakilty, Co. Cork
Telephone: (023) 8859500
Fax: (023) 8821782**



**AQUACULTURE AND FORESHORE LICENCE APPLICATION FORM, for purposes of
FISHERIES (AMENDMENT) ACT, 1997 and FORESHORE ACT, 1933**

NB: The accompanying Guidance Notes should be read before completing this form.

Note: Details provided in Parts 1 and 2 will be made available for public inspection. Details provided in Parts 3 and 4 and any other information supplied will not be released except as may be required by law, including the Freedom of Information Act 1997 as amended.

**USE BLOCK CAPITALS IN BLACK INK
PLEASE**

For Office Use
Application Ref. No. <u>TS/611</u>
Date of Receipt (Dept. Stamp)



Type of Applicant (tick one)	
Sole Trader	<input type="checkbox"/>
Partnership	<input type="checkbox"/>
Company	<input checked="" type="checkbox"/>
Co-Operative	<input type="checkbox"/>
Other Please specify-	<input type="checkbox"/>

PART 1: PRELIMINARY DETAILS

Applicant's Name(s)
1. ROARING WATER SEA VEGETABLE CO LTD
Address: ROARING WATER SEA VEGETABLE COMPANY LTD, ASH TREE COTTAGE, DUNBEACON, WEST CORK. P75A363
2.
Address:
3.
Address:
4.

Contact in case of enquiries (if different from above)	
Contact Name	
Organisation Name (if applicable)	
Address	

Address:

PART 1: PRELIMINARY DETAILS

TYPE OF APPLICATION – please indicate relevant type of application
 This Application Form is valid for each type of application - *See Guidance Note 3.1*

(i) Aquaculture Licence	<input type="checkbox"/> YES
(ii) Trial Licence	<input type="checkbox"/>
(iii) Foreshore Licence, if Marine Based	<input type="checkbox"/>
(iv) Review of Aquaculture Licence	<input type="checkbox"/>
(v) Renewal of Aquaculture Licence	<input type="checkbox"/>

TYPE OF AQUACULTURE

See Guidance Note 3.2

Indicate the relevant type of application with a tick.

(i) **MARINE-BASED**

- | | | |
|--|-------------------------------------|--------------------------|
| Finfish | <input type="checkbox"/> | Go to Parts 2.1 and 2.1A |
| Shellfish <i>Subtidal</i> | <input type="checkbox"/> | Go to Parts 2.2 and 2.2A |
| <i>Intertidal</i> | <input type="checkbox"/> | Go to Parts 2.2 and 2.2A |
| Seaweed/Aquatic Plants/Aquatic Fish Food | <input checked="" type="checkbox"/> | Go to Parts 2.3 and 2.3A |

(ii) **LAND-BASED**

- | | | | | |
|---------|--------------------------|-----------|--------------------------|--------------------------|
| Finfish | <input type="checkbox"/> | Shellfish | <input type="checkbox"/> | Go to Parts 2.4 and 2.4A |
|---------|--------------------------|-----------|--------------------------|--------------------------|

2.3 MARINE-BASED SEAWEED/AQUATIC PLANTS/AQUATIC FISH FOOD AQUACULTURE

When filling out this section refer also to 2.3A and Guidance Note 3.3 for information on
Conditions and Documents required with this application type

Proposed Site Location

- (i) Bay: DUNMANUS
- (ii) County: CORK
- (iii) OS Map No: _____
- (iv) Co-ordinates of Site: (please specify coordinate reference system used e.g. Irish Grid (IG) or Irish Transverse Mercator (ITM) or Latitude/Longitude [in which case specify whether ETRS89 or WG84 etc.]

X	Y
84867	35833
84932	35757
84662	35657
84727	35581

- (v) Size (hectares): 2.7

(vi) Species (common and scientific name): ALARIA ESCULENTA, RED, GREEN, BROWN INDIGENOUS SEAWEEDS

(vii) What is the source of plantlet? BIM LAB, GEARIES

(viii) Cultivation Method?
LONGLINE

(ix) Proposed total number of lines/ropes 5

(x) Proposed Production:

Year 1	3.5 WET TON	Year 2	5 WET TON	Year 3	5 WET TON	Year 4	5 WET TON	Year 5	5 WET TON
--------	-------------------	--------	--------------	--------	--------------	--------	--------------	--------	--------------

(xi) Reasons for site selection: LOCAL SITE IN CLEAN WATER NOT TOO EXPOSED

(xii) Provide detailed information on the techniques for cultivation in use or to be used. Are these techniques currently in use in the industry or are they new? Please give details;

AS TRIED AND TESTED AT THE ROARING WATER SEAWEED COOP SITE OVER
THE LAST 7
YEARS _____

(xiii) Methods used for harvesting. _____ BY HAND OFF A
BOAT _____

(xiv) Has the site sufficient space for the site structures including mooring blocks?
YES _____

Please provide separately detailed drawings of both over and under water structures including moorings.
(See Guidance Note on Site Structures 3.3.2)

(xv) How will the visual impact issues of the flotation devices for the proposed application be
addressed? _____
ONLY TEN SMALL GREY BUOYS PER LINE

(xvi) Is the site located in a sensitive area e.g. SPA (Special Protection Area) or SAC (Special Area
of Conservation) i.e. a Natura 2000 site? (Refer to Guidance Note 3.3.1- Natura 2000 sites)

If Yes give details

NO _____

See Part 2.3A for details of documentation to be included with this application type

**2.6 Employment, Qualifications, Experience, etc
TO BE FILLED IN BY ALL AQUACULTURE APPLICANTS**

(i) Please provide details of experience/qualifications of the applicant and any key personnel which are relevant to the aquaculture now proposed:

AQUACULTURE FETAC 5 2009, 9 YEARS EXPERIENCE MANAGING ROARING WATER SEA WEED FARM

(ii) If a new application please provide details of projected employment creation during first four years of the proposed aquaculture project:

(iii) In the case of a renewal please provide current and future details:

FULLTIME JOBS

Year 1:	3	Year 2:	3	Year 3:	3	Year 4:	3
---------	---	---------	---	---------	---	---------	---

PART TIME JOBS

Year 1:		Year 2:		Year 3:		Year 4:	
---------	--	---------	--	---------	--	---------	--

COVERED _____

12. If this application relates to a new site, please set out below the projected production plan to full production by quantities on an annual basis showing stock inputs, growth and harvest production

YEAR 1 - 750KG ALARIA, 250KG

LAMINARIA _____

YEAR 2 - 750KG ALARIA, 500KG LAMINARIA _____

YEAR 3 - 1000KG ALARIA, 750KG LAMINARIA, 142KG

PALMARIA _____

13. If this application relates to an existing site, please set out below the production by quantities on an annual basis for the last 4 years showing stock inputs, growth, survival rates and harvest production

CONFIDENTIAL

PART 4 B. MARKETING

1. Have possible markets been considered, or has market advice for products been sought?

YES NO

2. If yes, give details: JAPANESE MARKET ALREADY ESTABLISHED, RAW MATERIAL USED IN VALUE ADDED PRODUCTS FOR COMPANY _____

3. Will the product be processed or packaged?

YES NO

4. If yes, give details: ESTABLISHED FOOD PRODUCTION COMPANY _____

PART 5: DECLARATION AND SIGNING

NB: Refer to Guidance Note Section 3.5 and Section 4 - Guidance on Declaration and Signing and Annual Aquaculture and Foreshore Licence Fees

If this is a renewal/review have you met all licence conditions of the existing aquaculture licence? If applicable, explain why you have not complied with all conditions:

I/We hereby declare the information provided in Parts 1, 2, 3 and 4 above to be true to the best of my/our knowledge and that I am over 18 years of age. I/We enclose an application fee* of € _____ with this application.

Signature(s) of Applicant(s):
(Please state capacity of persons signing on behalf of a Company/Co-op)

P. Cobb.
Director.

Date: 11.04.18

NB All persons named on this licence application must sign and date this application form. Only the existing licence holder(s) can apply for the renewal/review of an Aquaculture Licence.

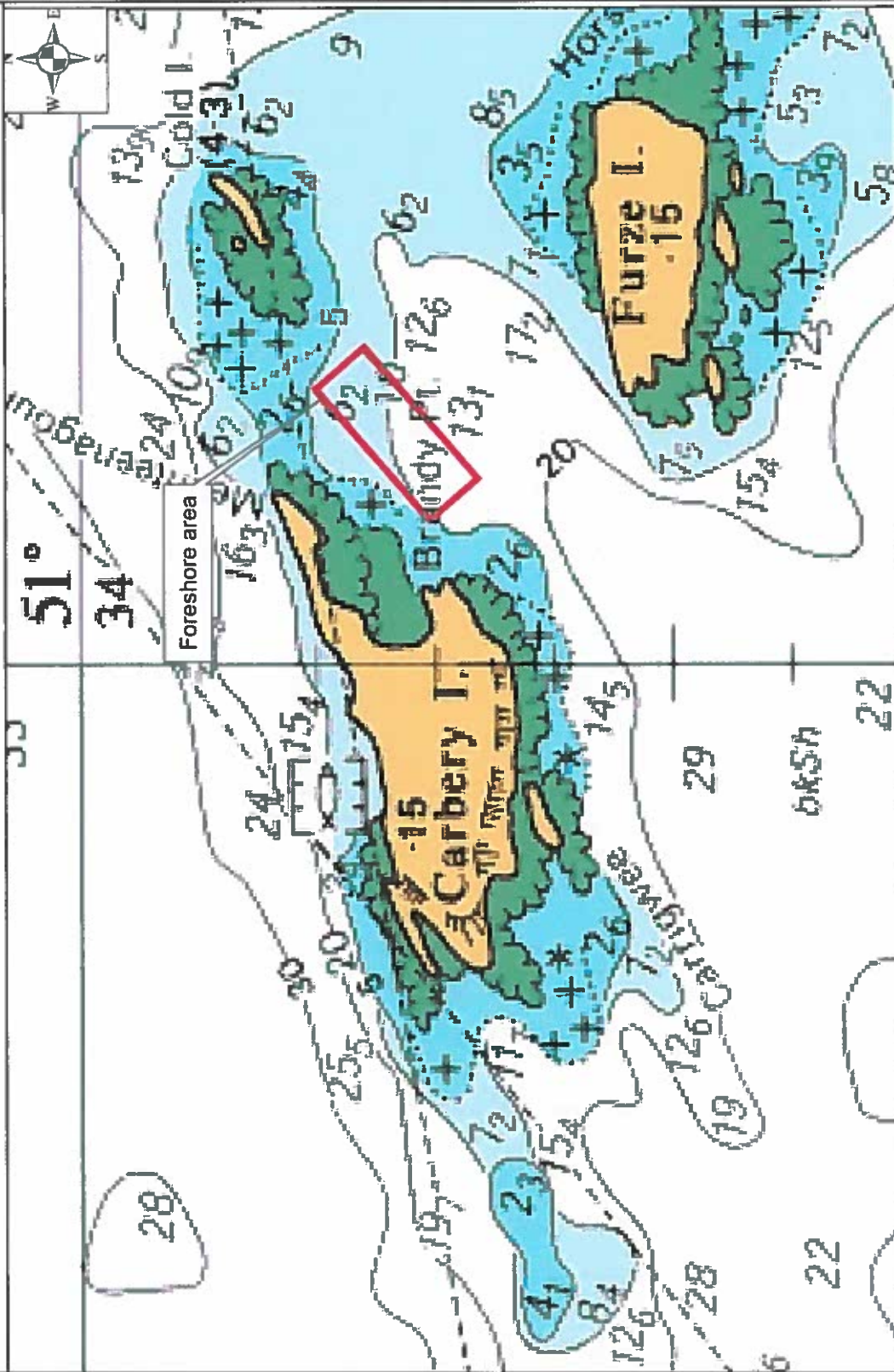
*Preferred method of payment is by cheque or bank draft. The fee should be made payable to the Department of Agriculture, Food and the Marine.

Refer to Guidance Note Section 4 - Guidance on Aquaculture and Foreshore Licence Fees

The application form should be forwarded, with the required documents and application fee, to:

**Aquaculture Licensing
Aquaculture & Foreshore Management Division
Department of Agriculture, Food and the Marine
National Seafood Centre
Clonakilty
Co. Cork**

Roaringwater Sea Vegetable Co. Ltd



NOTES

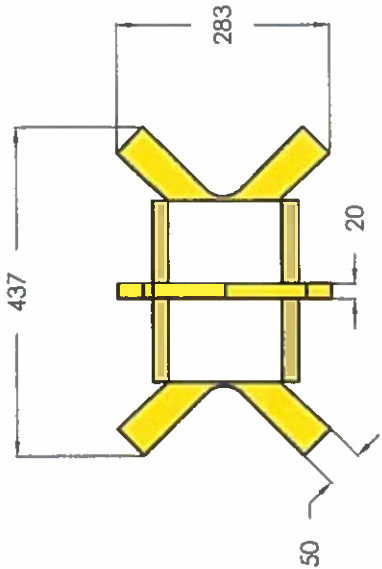
1. All dimensions are in metres unless otherwise noted.
 2. All levels are in metres related to Ordinance Datum Malin
 3. Co-ordinates to Irish National Grid
 4. Application Site outlined in RED
- Admiralty Chart Licence
 Chart provided by client under
 Licence no 16976Q
 Licence Area
 License Area: 2.7 hectares

ING Co-ordinates

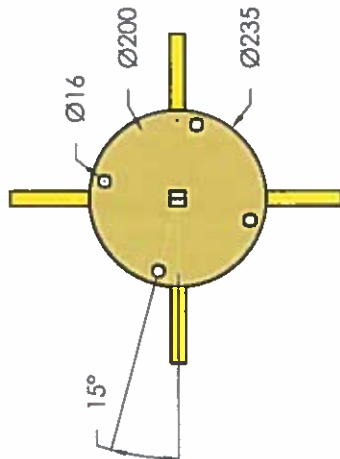
X
 Y
 A: 84867, 35833
 B: 84932, 35756
 C: 84727, 35581
 D: 84662, 35657



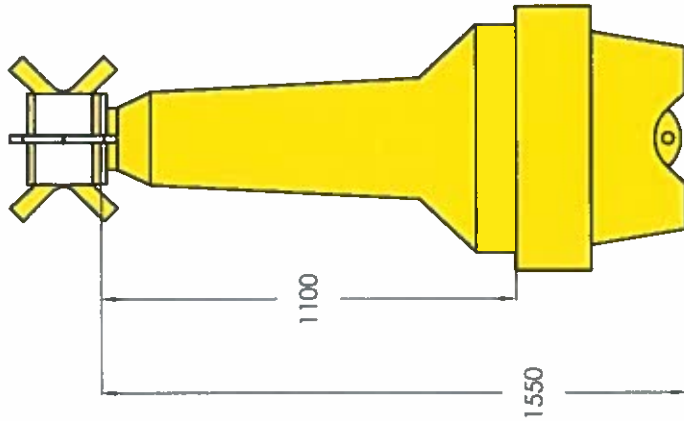
SITE: DUNMANUS BAY, CO. CORK	DRAWING TITLE: ADMIRALTY CHART		DATE: MARCH 2018
	SCALE @ A4 1:10,000	DRAWN BY C O'SULLIVAN	REVISION 0
PROJECT: AQUACULTURE LICENCE APPLICATION SEAWEED FARM	STATUS PLANNING		



SIDE ELEVATION 1:10
SPECIAL MARK BEACON



PLAN 1:10
SPECIAL MARK BEACON



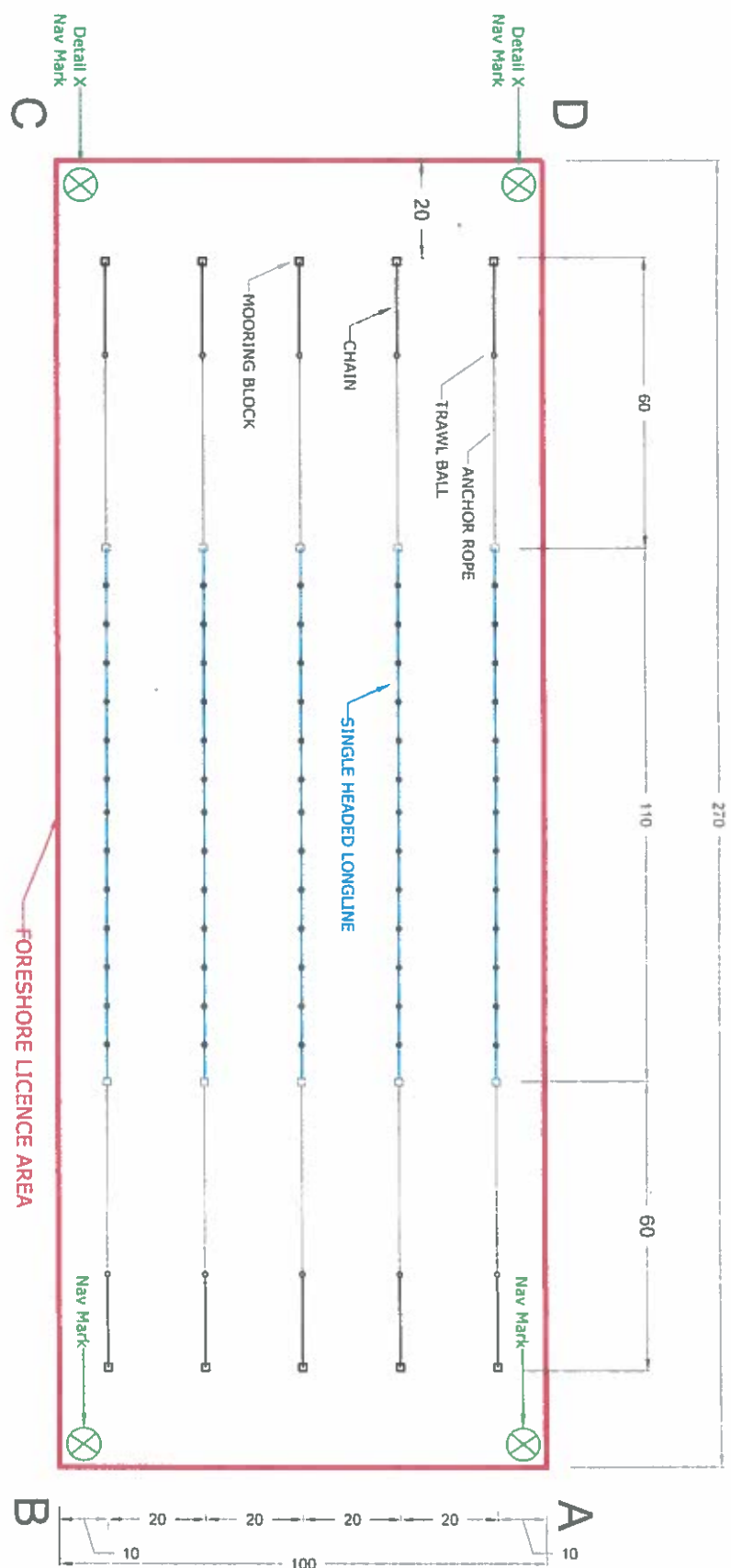
SIDE ELEVATION 1:20
SPECIAL MARK BEACON

Floating Buoy Marker Spec

- Total Height 1550mm
- Total Weight 65kg
- Diameter 600mm
- Volume 189 Litres
- Focal View 1100mm
- Mooring Ring Diameter 25mm
- Mooring Block & Line suitable for Location

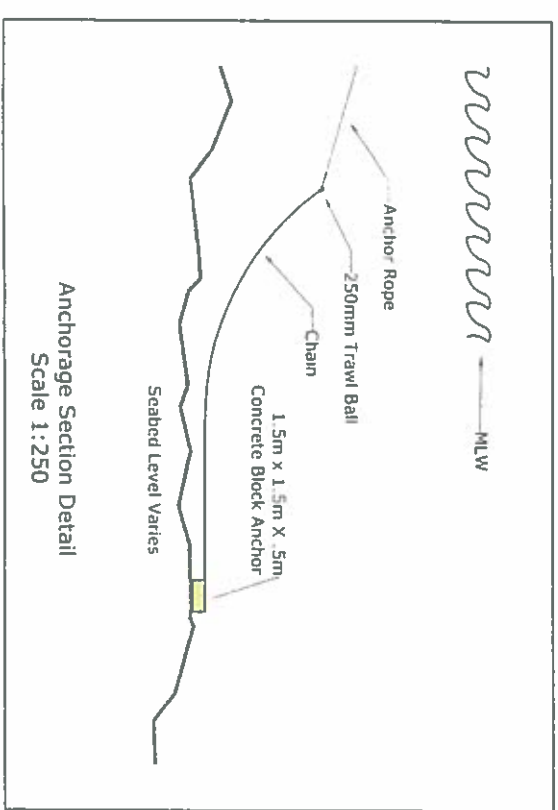
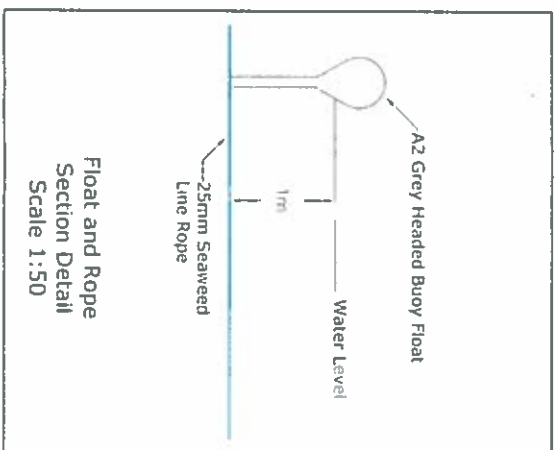
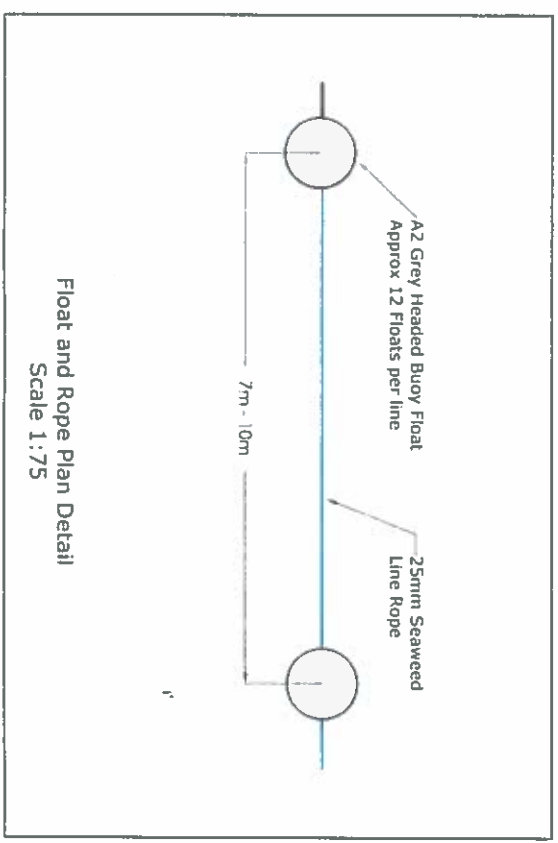
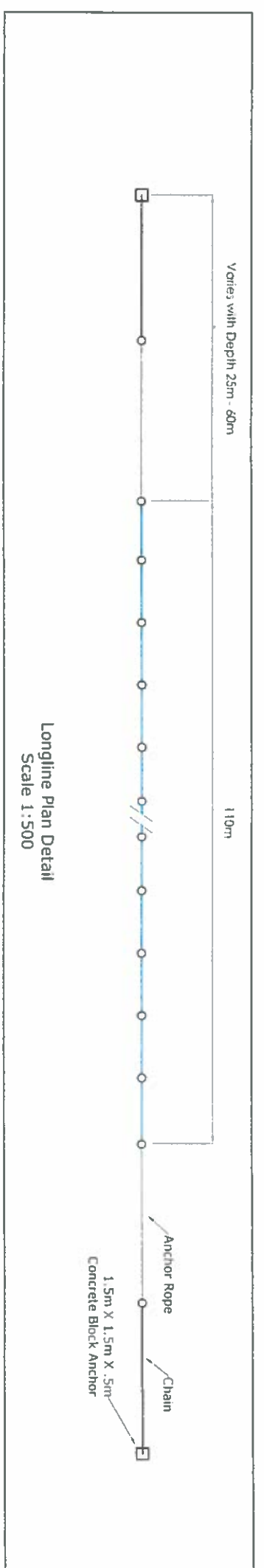
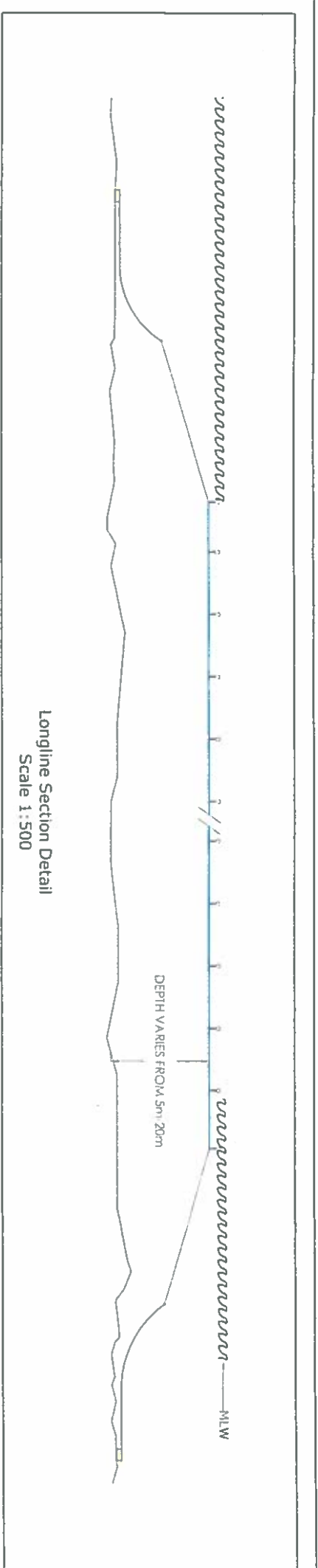


STATUS PLANNING SCALE @ A4 AS NOTED	DATE: MARCH 2018 DRAWN BY C O'SULLIVAN	PROJECT TITLE: AQUACULTURE LICENCE APPLICATION
	SITE: DUNMANUS BAY, CO.CORK	DRAWING: Detail X Floating Marker Buoy Detail



APPLICATION SITE LAYOUT
SCALE 1:1,000

NOTES All dimensions are in metres unless otherwise noted. All levels are in metres related to Chart Datum. Co-ordinates to Irish National Grid. Application Site outlined in RED. Licence Area 2.7 hectares.		ING Co-ordinates A: 84667, 35813 B: 84932, 35756 C: 84727, 35581 D: 84662, 35657		SCALE: AS SHOWN @ A3		DATE: MARCH 2018		SITE: DUNMANUS BAY, CO. CORK		PROJECT TITLE: AQUACULTURE LICENCE APPLICATION	
STATUS: PLANNING		REVISION: 0		DRAWN: C.O.S		DRAWING: Inshore Seaweed Farm Site Layout					



NOTES The Anchorage Details Shown are indicative only		SCALE: AS SHOWN @ A3	DRAWN: C.O.S	STATUS: PLANNING	DATE: MARCH 2018	REVISION: 0	SITE: DUNMANUS BAY, CO.CORK	PROJECT TITLE: AQUACULTURE LICENCE APPLICATION
DRAWING: Inshore Seaweed Farm Detail 100 metre Longline								

