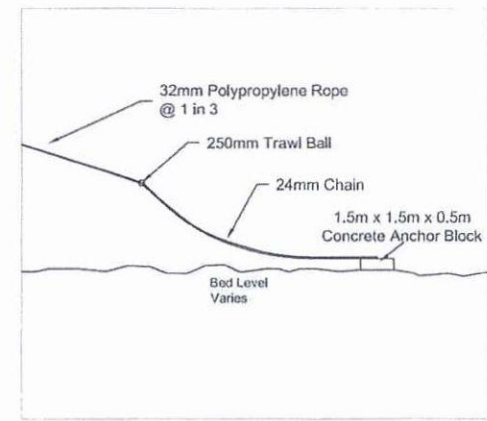
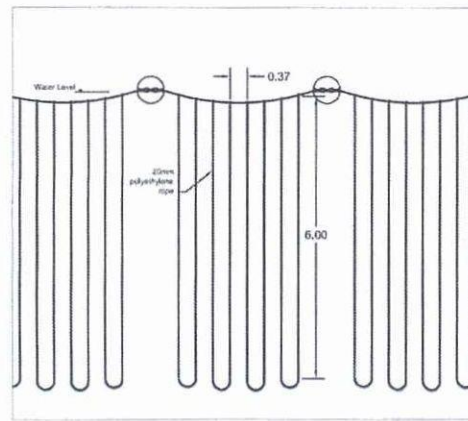
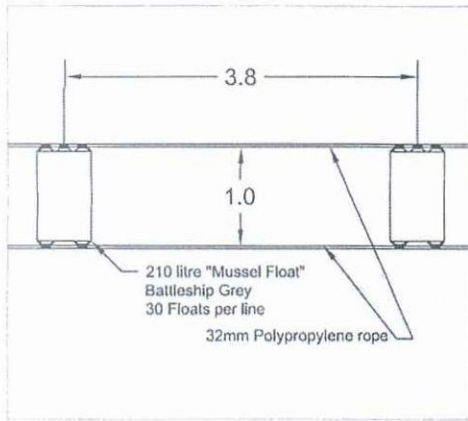
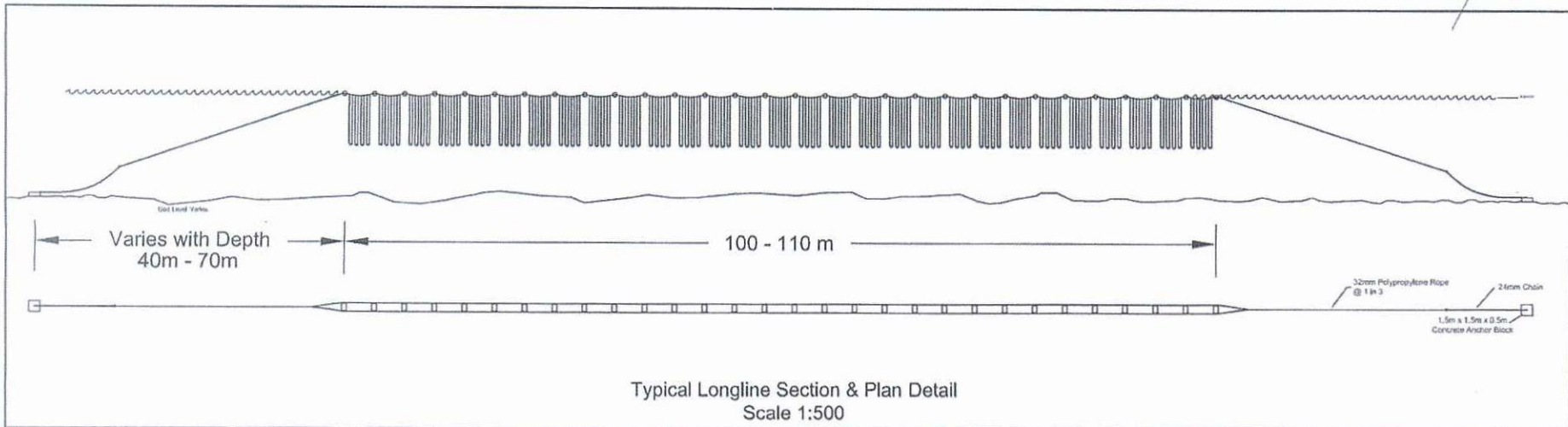


T5/84



Notes:

Project Aquaculture Drawings  
Mytilus Edulis

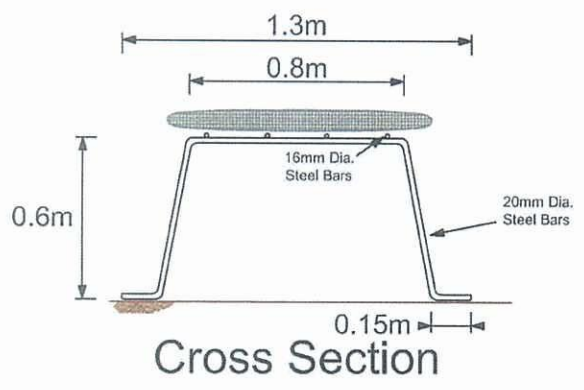
Title Inshore Mussel Farm Line Layout  
110 metre Longline

Rev.	Date	Description	by	ch'd	app

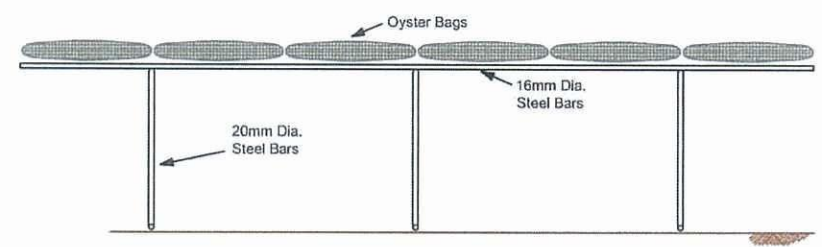
Department of  
**Agriculture, Fisheries and Food**  
An Roinn  
Talmhaíochta, Iascaigh agus Bia

Scale	As Shown	Dr. No.	Rev.
Drawn	01/01/2011		
Checked			

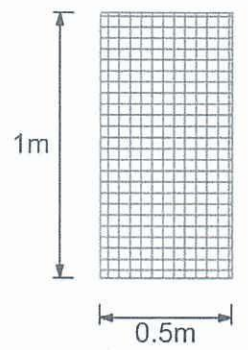
T5/84



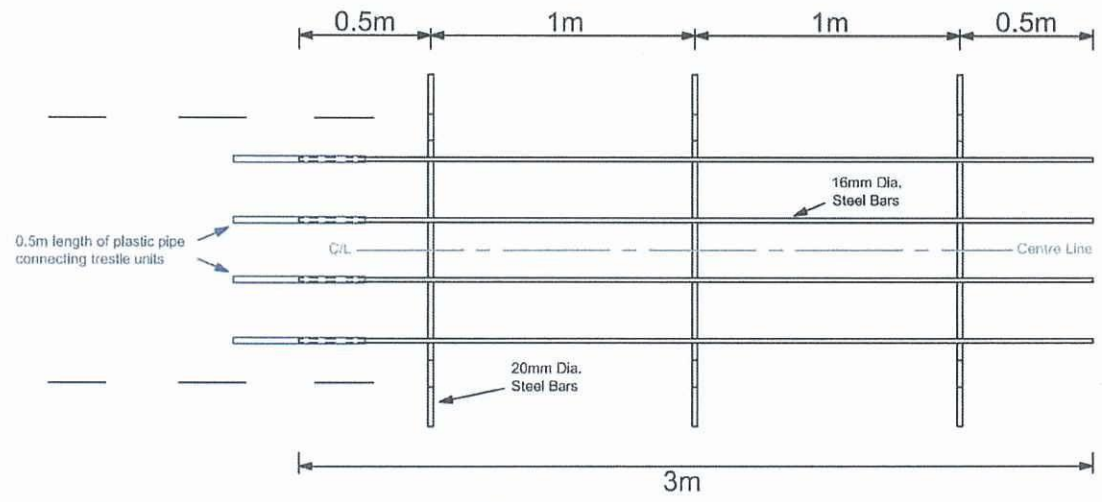
Cross Section



Longitudinal Section



Typical Oyster Bag



Plan (Bags not shown for clarity)

**Note:** Each oyster bag should be secured to treble

**Title: Oyster Treble Detail**  
Scale 1:25  
Date: 01/01/2011